

High Gain Directional Panel Antenna for 2.4 Ghz ISM Band

ANT24-1200

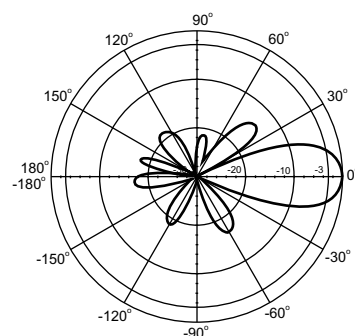
Electrical Specification

| | |
|---------------------|---------------------|
| Frequency range | 2400 MHz - 2500 MHz |
| Gain | 12 dBi |
| VSWR | 1.5 : 1 Max. |
| Polarization | Linear, vertical |
| HPBW / horizontal | 80° |
| HPBW / vertical | 23° |
| Front to back ratio | 15 dB |
| Downtilt | 0° |
| Power handling | 50 W (cw) |
| Impedance | 50 Ohms |
| Connector | SMA female |

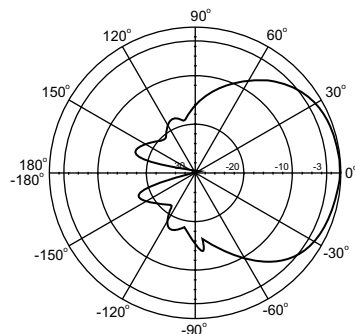


Environmental & Mechanical Characteristics

| | |
|----------------------|--------------------|
| Survival wind speed | 180 km/hr |
| Temperature | - 40° C to +80° C |
| Humidity | 100% @ 25° C |
| Lightning protection | DC ground |
| Radome color | White |
| Radome material | ABS, UV resistant |
| Weight | 0.19 kgw |
| Dimensions | 330 x 93 x 20.7 mm |

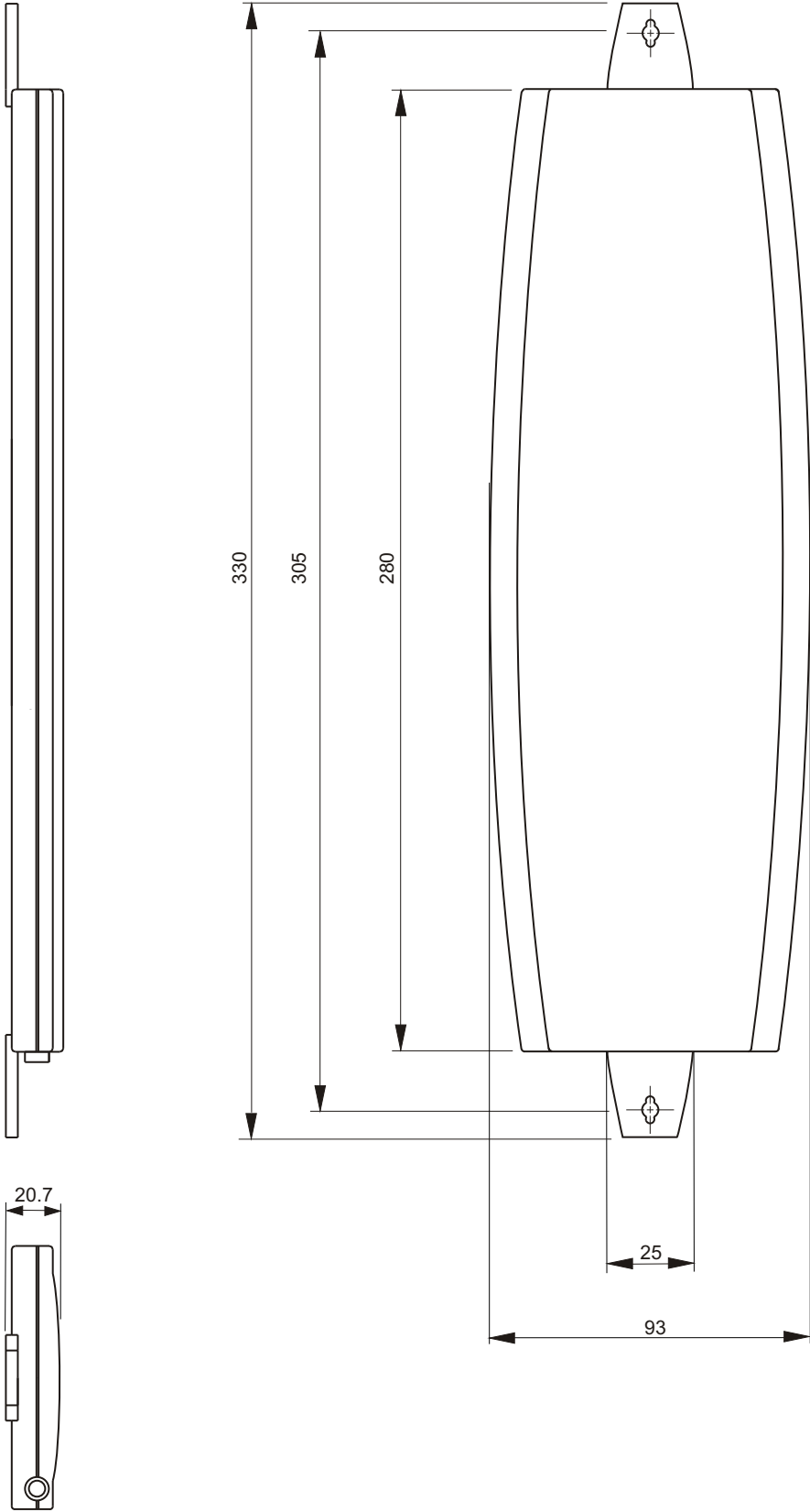


Vertical



Horizontal

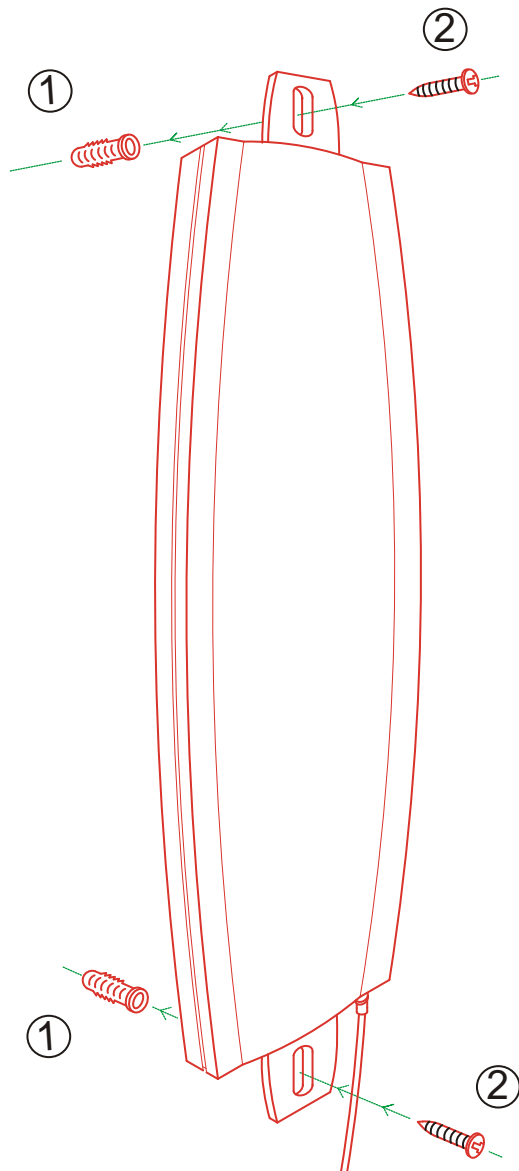
Dimensions (mm)



High Gain Directional Panel Antenna for 2.4 GHz ISM Band

Version 1.0

Mounting Configuration



Outdoor / indoor wall mount

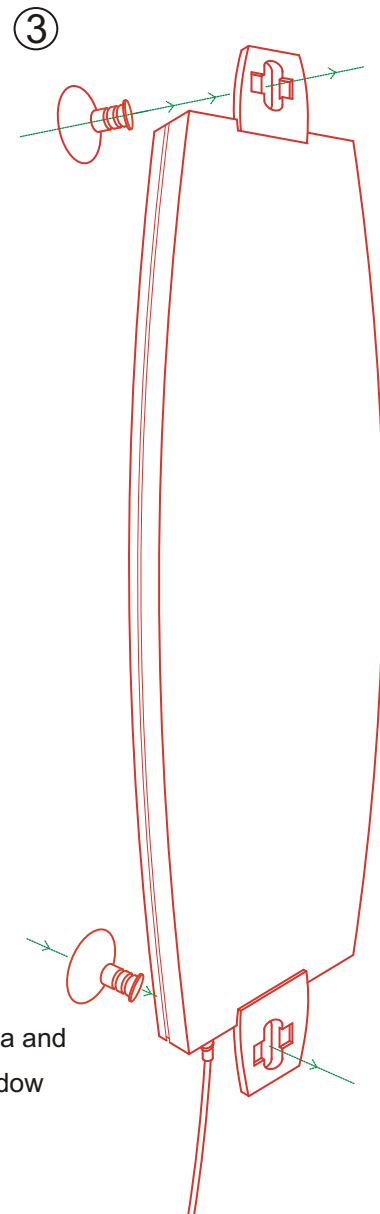
① Plastic wallplug

② Screw

Installation information

a. Insert plug in wall

b. Insert screw through antenna into plug and tighten



Indoor window mount

③ Window suction cup

a. Put ③ through the antenna and press onto the window