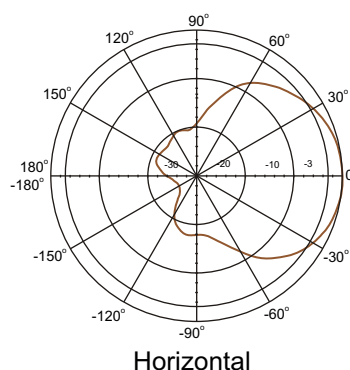
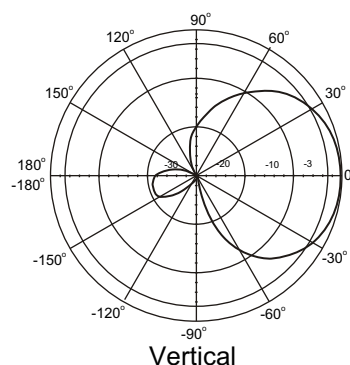


Pico Cell Patch Antenna for 2.4 Ghz

ANT24-0801

Electrical Specification

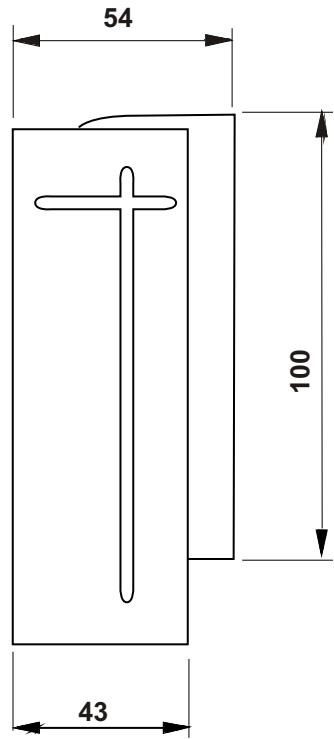
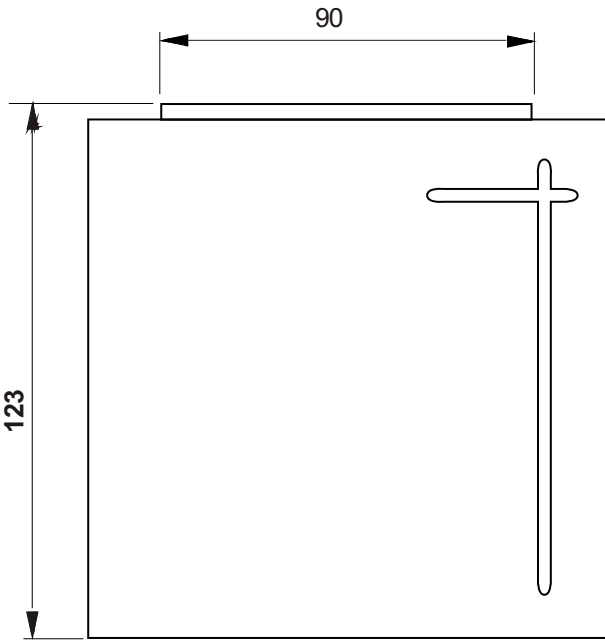
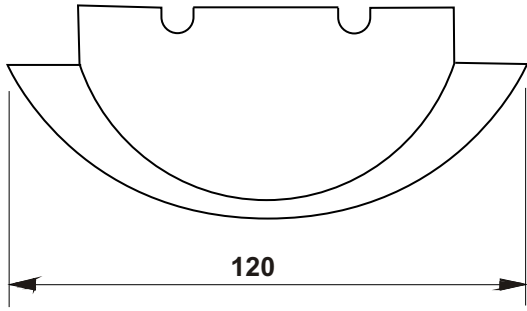
| | |
|---------------------|---------------------|
| Frequency range | 2300 MHz - 2500 MHz |
| Gain | 8.5 dBi |
| VSWR | 1.5 : 1 Max. |
| Polarization | Linear, vertical |
| HPBW / horizontal | 70° |
| HPBW / vertical | 65° |
| Front to back ratio | 15 dB |
| Power handling | 50 W (cw) |
| Impedance | 50 Ohms |
| Connector | N - female |



Environmental & Mechanical Characteristics

| | |
|----------------------|-------------------|
| Survival wind speed | 200 km/hr |
| Temperature | - 40°C to +80°C |
| Humidity | 100% @ 25° C |
| Lightning protection | DC ground |
| Radome color | Gray-white |
| Radome material | ABS, UV resistant |
| Housing material | AL6063 |
| Weight | 0.3 kgw |
| Dimension | 120 x 120 x 43 mm |

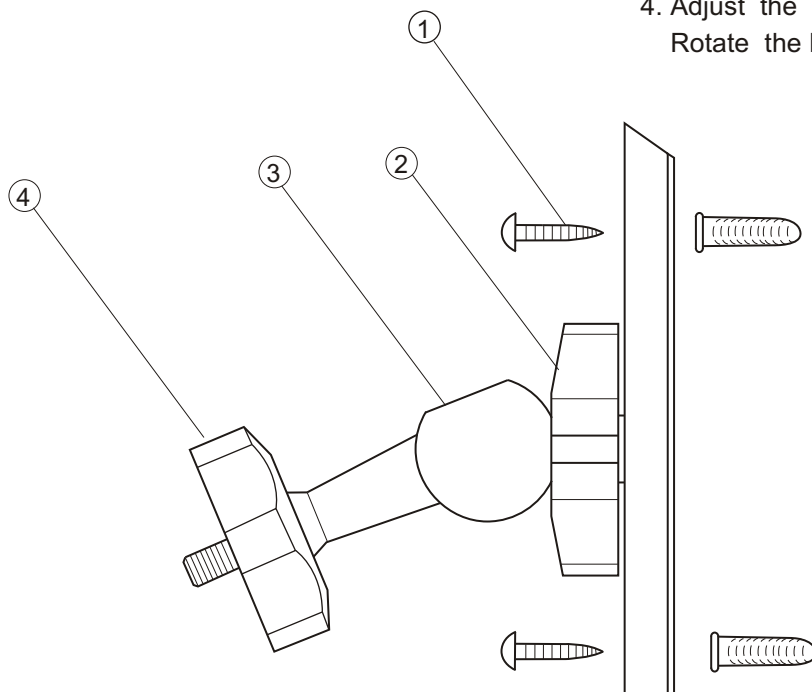
Dimensions (mm)



for 2.4 GHz

Mounting Configuration

1. Insert the tapping screw ① to fix the whole set of universal joint on the wall
2. Rotate the mounting base of the antenna to connect antenna body and universal joint
3. Fix the mounting base by rotate the rotating handle ④
4. Adjust the ball joint ③ to the convenient angle
Rotate the handle to fix the ball joint ③



- ① Taping Screw
- ② Rotate Handle
- ③ Ball Joint
- ④ Rotating Handle

Universal Joint Mounting