

Omni-Directional Antenna for 2.4 GHz ISM Band

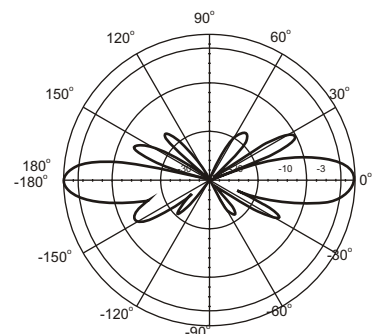
ANT24-0800

Electrical Specification

Frequency range	2400 MHz - 2500 MHz
Gain	8.0 dBi
VSWR	2.0 : 1 Max.
Polarization	Linear, vertical
HPBW / horizontal	360°
HPBW / vertical	15°
Power handling	50 W (cw)
Impedance	50 Ohms
Connector	N female

Environmental & Mechanical Characteristics

Survival wind speed	180 km/hr
Temperature	- 40°C to +80°C
Humidity	100% @ 25° C
Lightning protection	DC ground
Radome color	Gray-white
Radome material	Fiberglass
Radiator material	PCB mirco stripe
Weight	360 gw
Dimensions	550 x \varnothing 21 mm



Dimensions (mm)

